

Category 5e Keystone Panel Mount Coupler



Category 5e Unshielded Keystone Panel Mount Coupler

Colour: Black KS-C-C5EUTP-BK and white KS-C-C5EUTP-WH

Features

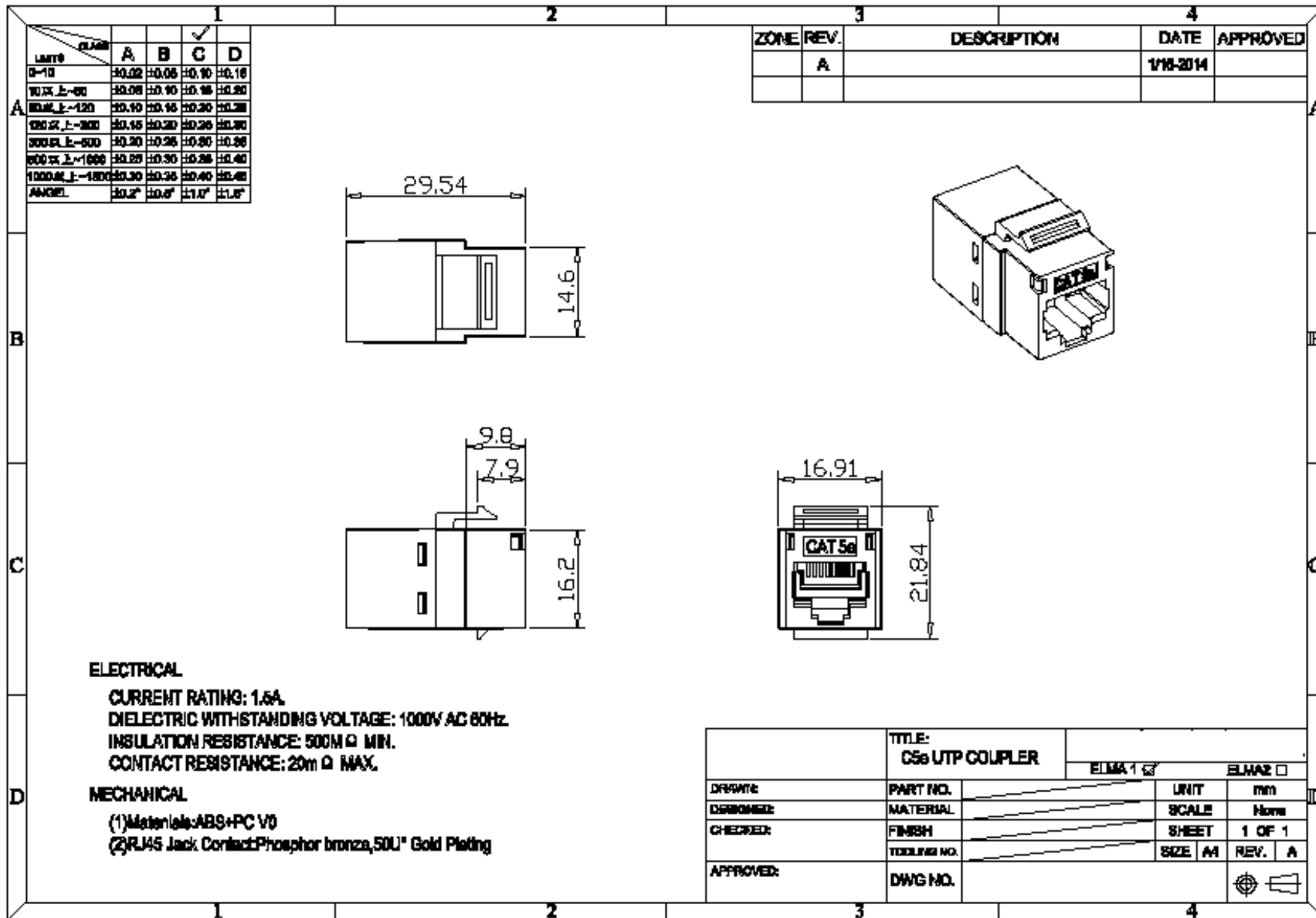
- High performance data throughput, meets Category 5e data transfer rates
- Designed to fit industry standard keystone outlets and patch panels
- Shielded version available KS-C-C5ESTP
- Compatible 16 and 24 port keystone patch panels available with or without cable management

Specifications

DIMENSIONS (mm) 29.5 x 16.9 x 21.8 approx

MATERIALS

- Housing: ABS UL94V-0
- Contacts: 50µ"/ 1.27µm gold plating over nickel plated phosphor bronze





Category 5e Shielded Keystone Panel Mount Coupler KS-C-C5ESTP

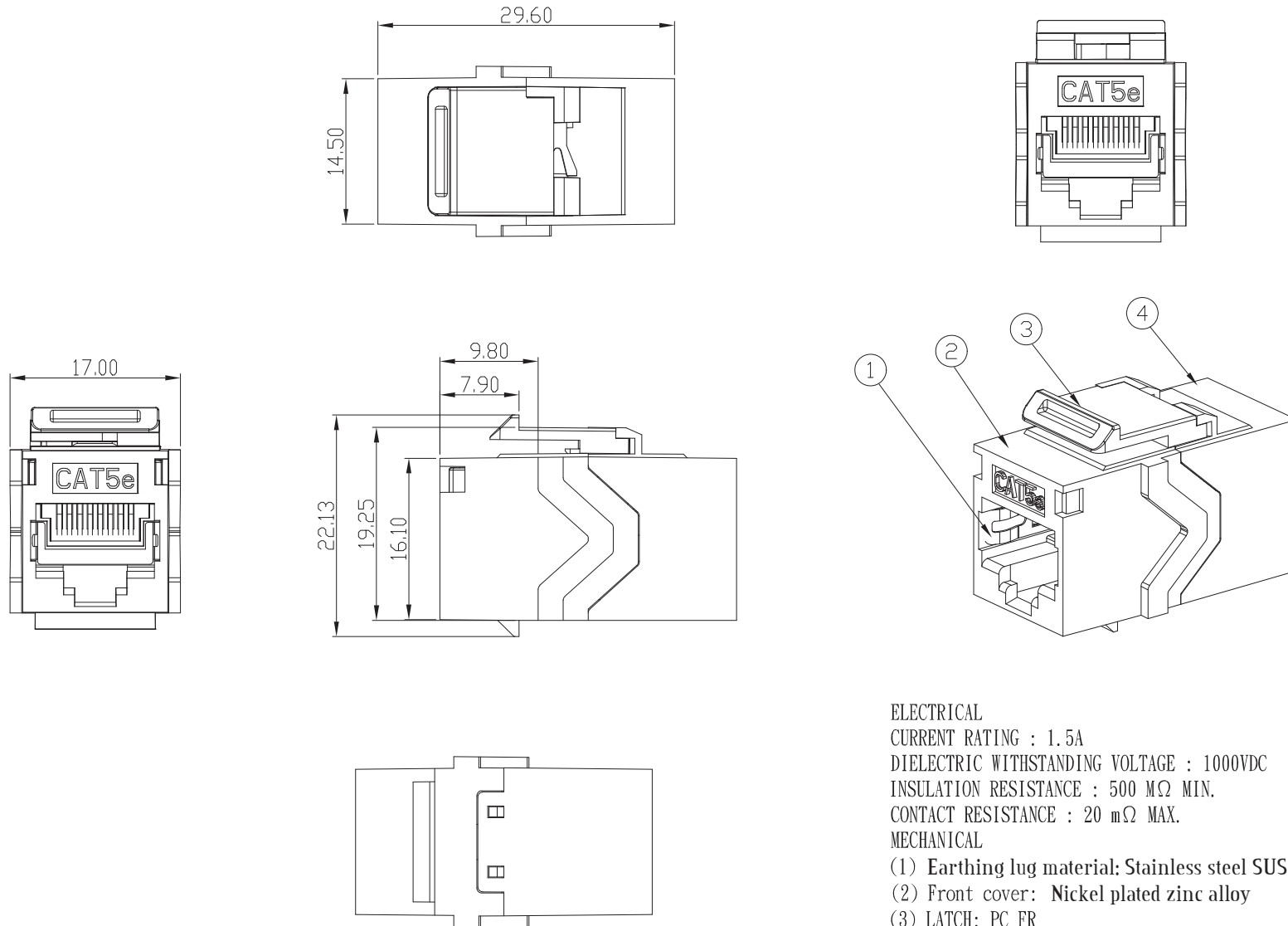
Features

- Designed to fit industry standard keystone outlets, wall plates and patch panels
- High performance data throughput, meets Category 5e data transfer rates
- Unshielded versions available
- Plug insertion life ≥ 750 times
- Operating temperature: $-40^{\circ}\text{C} \sim +66^{\circ}\text{C}$
- Fully loaded 16 and 24 port patch panels available with or without cable management
- Available as part of our innovative panel mount and D UNIVERSAL ranges

Specifications

- Housing: Nickel plated zinc alloy
- Contacts: Phosphor bronze, $50\mu\text{m}/1.27\mu\text{m}$ gold plated over contact area
- Colour: Silver
- Dimensions: approx 29.7 x 17 x 16.1 mm
- Weight: approx 17g
- Earthing lug material: Stainless steel SUS304

ROHS Compliant



ELECTRICAL
CURRENT RATING : 1.5A
DIELECTRIC WITHSTANDING VOLTAGE : 1000VDC
INSULATION RESISTANCE : 500 M Ω MIN.
CONTACT RESISTANCE : 20 m Ω MAX.
MECHANICAL
(1) Earthing lug material: Stainless steel SUS304
(2) Front cover: Nickel plated zinc alloy
(3) LATCH: PC FR
(4) Bottom cover: Nickel plated zinc alloy

Cabcon, 3 The Business Centre, Molly Millars Lane, Wokingham, Berkshire, RG41 2EY

Tel: 01189 122980 Fax: 01189 776095 Email: sales@cabcon.co.uk Website: www.cabcononline.co.uk