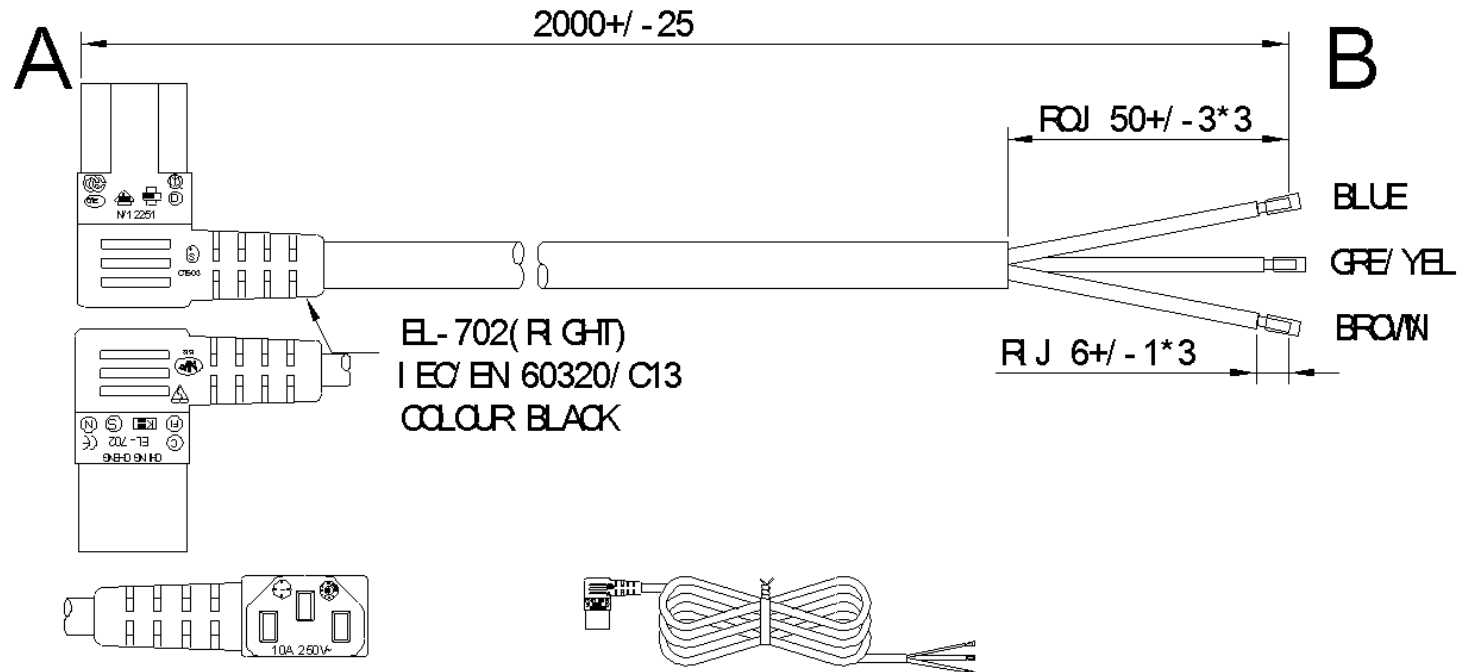
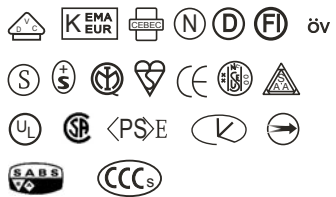


Powercord Specification Sheet



Plug Approval



NOTE: HANK & TIE

Cabcon

3 The Business Centre
Molly Millars Lane
Wokingham
Berks RG41 2EY

Part Number	Description	Cable Spec
C13R.H25.E10 0200 B	IEC/C13 Power Cord	H05VV-F 0.75/3C 2000mm Colour: Black

Tel: 01189 122 980
Fax: 01189 776 095
Email: sales@cabcon.co.uk
www.cabcononline.co.uk

RoHS Compliant