

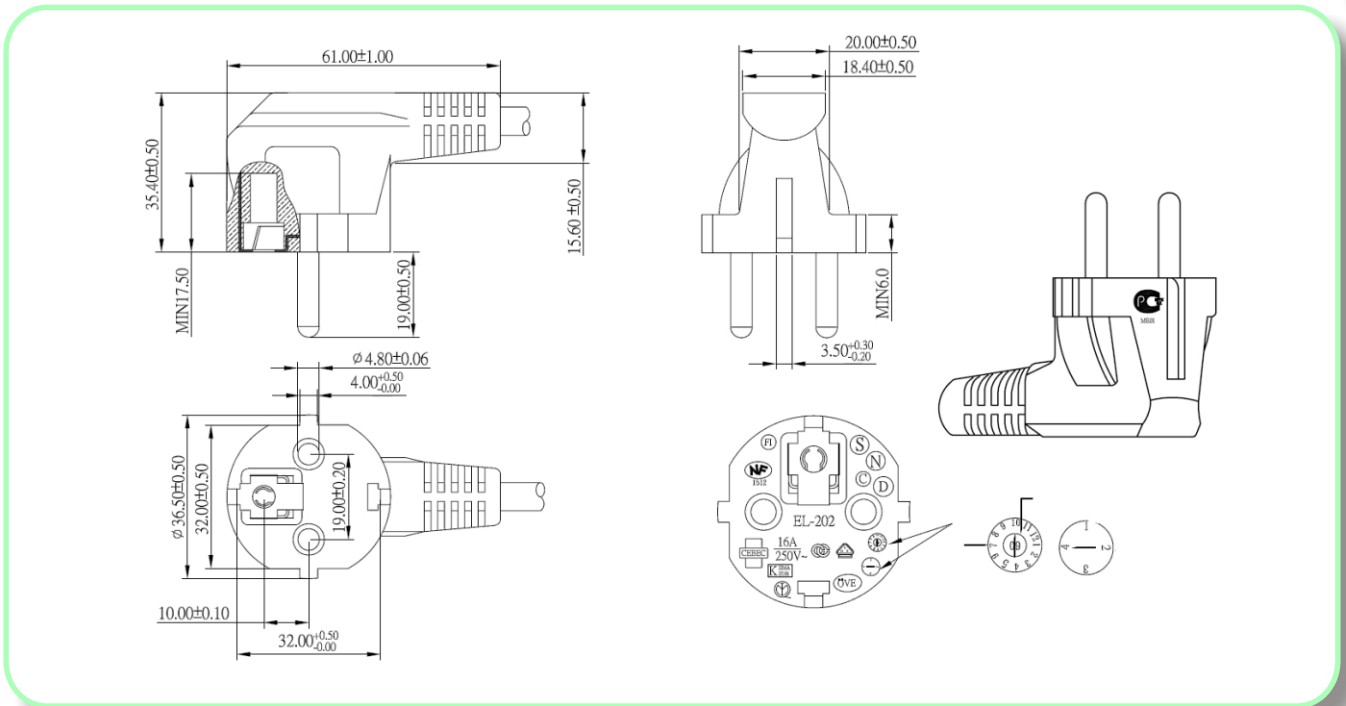
Conforms to CEE7		
PIN $\Phi 4.8$		
2PIN + E	16A/250V	
Type Cable	SEC	MM ²
H03VV-F	3C	0.75
H05VV-F	3C	0.75-1.50
H05RR-F	3C	0.75-1.50
H05RN-F	3C	0.75-1.00
H05RT-F	3C	0.75-1.00
WW05VAS-F	3C	0.75



Approvals



Plug Specification



Examples of compatible connectors / terminations. For custom terminations please call.

